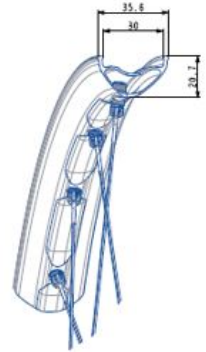
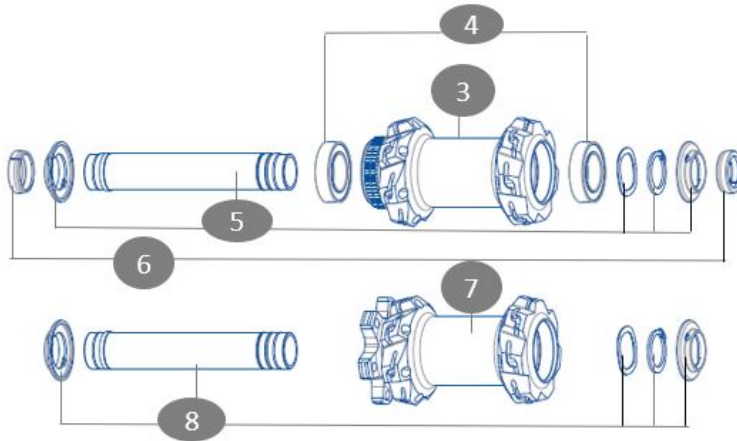


MAVIC **E-CROSSTRAIL SL 27,5**

Minimum tyre size: width 52mm - pressure max. 2.95Bar/43PSI
 Maximum tyre size: width 76mm - pressure max. 2.45Bar/36PSI
 ASTM category 4 : enduro and trail riding
 Maximum weight supported by the wheels: must not exceed 150 Kg (bike weight included)

REFERENCES WHEELS

Jante avant E-Crosstrail SL



Specifications	Maxi target
Frontal run out	0,5mm
Lateral run out	0,5mm
Centring	1,0mm (2x0,5)
Tension daN Disc side	81 > 107

RIMS

&NBSP;:

1 V00115331 KIT FT/RR RIM eXTRAIL SL 27.5

SPOKES

2 V00100931 Kit 14 steel spokes 286mm eDeemax S30 24 27,5"

HUB SHELLS

3 N/A HUB BODY
 4 V2500901 KIT BEARINGS 18x30x7 + WAVED WASHER + CLIP
 5 V2375601 Kit 110mm axle QRM auto MTB from 2019 DCL
 5 V2372401 KIT 110mm AXLE QRM AUTO MTB > 2019
 7 N/A HUB BODY

OPTIONS

V3750101 35mm UST Green Tape for 30mm wide rims

ADAPTERS

6 V2372501 15mm MTB Axle Cap QRM Auto From 2019

MAVIC **E-CROSSTRAIL SL 27,5****DELIVERED WITH**

User guide	
UST valve not mounted on wheel	
2 replacement spokes with each wheel	
2 Multifonction adjustment wrench with the rear wheel	

COMPATIBILITY

Freewheel body: convertible SHIMANO HG MTB aluminium (kit V3780101 sold separately)	
Freewheel body: convertible SHIMANO HG MTB steel (kit V3790101 sold separately)	
Front axle adapters: 15x110 convertible to 9x110 (kit 99694101 sold separately)	
Front axle adapters: convertible to 15x31mm with Torque Cap (kit V2374401 sold separately)	
Rear axle adapters: 12x148 convertible to 9x141 (kit V2510801 sold separately)	

Specifications**RIMS**

- **Material** : Mxxtal
- **Height** : 22 mm
- **Joint** : SUP welding technology
- **Internal width** : 30 mm
- **Drilling** : Fore tapeless tubeless technology (front/rear 28 holes)
- **Braking** : disc
- **Profile** : asymmetrical
- **ETRTO size** : 584x30TC
- **Tire** : UST Tubeless Ready

SPOKES

- **Material** : steel
- **Shape** : straight, extra-flat, constricted, antirot (front)
- **Shape** : straight, flat, constricted, antirot (rear)
- **Nipples** : brass, black
- **Screw** : M7
- **Lacing** : crossed 3 (front and rear)Å

WHEEL HUB

- **Body material** : aluminium
- **Body design** : INFINITY
- **Disc standard** : 6 Bolts or Center LockÅ®
- **Axle material** : aluminum
- **Axle size** : front 15x110 / rear 12x148
- **Freewheel technology** : Instant Drive 360
- **Freewheel** : Shimano MS / Sram XD MTB
- **Bearing technology** : QRM automatic setting - sealed cartridge

WHEEL WEIGHTS

868