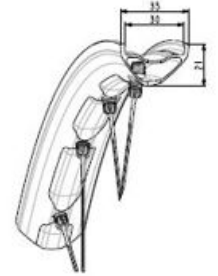


MAVIC **CROSSTRAIL SL 29**

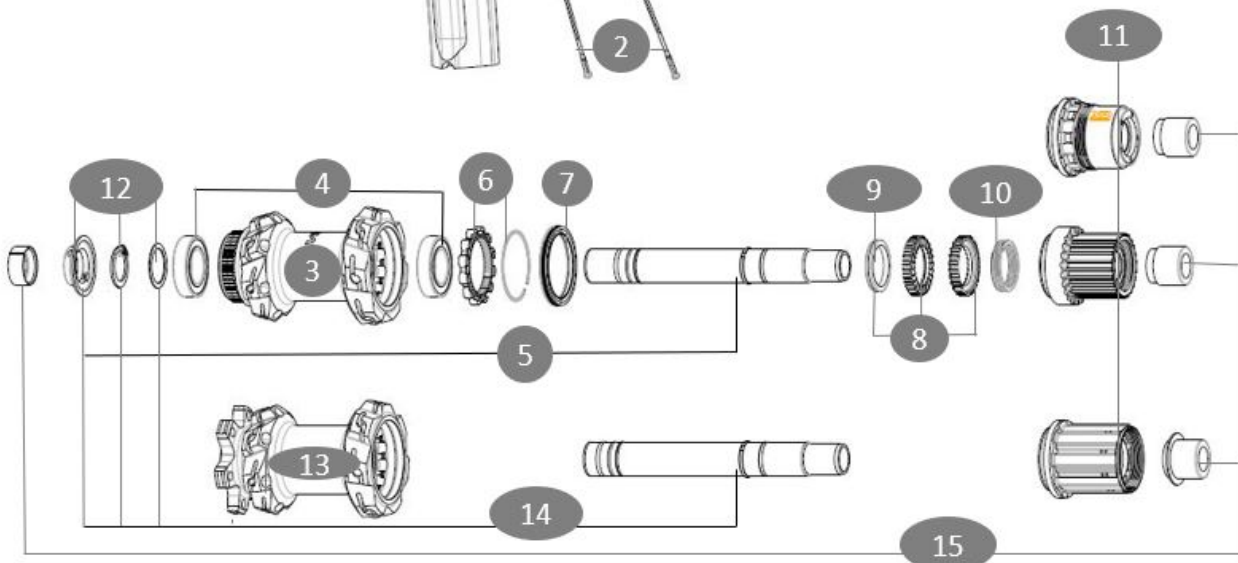
Minimum tyre size: width 52mm - pressure max. 2.95Bar/43PSI
 Maximum tyre size: width 76mm - pressure max. 2.45Bar/36PSI
 ASTM category 4 : enduro and trail riding
 Maximum weight supported by the wheels: must not exceed 135 kg (bike weight included)

REFERENCES WHEELS

| Specifications | Maxi target |
|-------------------------|---------------|
| Frontal run out | 0,5mm |
| Lateral run out | 0,5mm |
| Centrerig | 1,0mm (2x0,5) |
| Tension daN FWB side | 112 > 136 |



Jante avant Crosstrail SL 29

**RIMS**

&NBSP;:

| | | |
|---|-----------|--|
| 1 | V00117409 | KIT RR RIM XTRAIL SL 29 |
| | V3750101 | 35mm UST Green Tape for 30mm wide rims |

SPOKES

| | | |
|---|-----------|--|
| 2 | V00095231 | Kit 14 steel spokes 305mm Deemax Enduro SL 29" |
|---|-----------|--|

HUB SHELLS

| | | |
|---|----------|--|
| 3 | N/A | HUB BODY |
| 4 | M40076 | HUB BEARINGS 17x30x7 6903 x 2 |
| 5 | V2375701 | Kit ID360 148 DCL axle with circlip |
| 6 | V2252701 | KIT ID360 INSERT SHAPED EAR LOBE > 2017 |
| 7 | V2251601 | KIT ID360 SEAL + GREASE |
| 8 | V2375201 | KIT ID360 24 TEETH 2 RATCHET + MTB SPRING + PAD (specific) |
| 9 | V2375401 | KIT ID360 MTB 24T 3 NOISE REDUCING PADS |

| | | |
|----|----------|---|
| 10 | V2372901 | KIT 3 ID360 MTB SPRINGS |
| 11 | V3990101 | MicroSpline MTB Freewheel Body ID360 |
| 11 | V3780101 | HG9 Alloy MTB Freewheel Body ID360 |
| 11 | V3740101 | XD MTB Freewheel Body ID360 |
| 12 | V2373001 | KIT ADJUST. SYSTEM QRM AUTO ID360 for 17x30x7 bearing |
| 13 | N/A | HUB BODY |
| 14 | V2372201 | KIT ID360 148 D6T AXLE WITH CLIP |

ADAPTERS

| | | |
|----|----------|------------------------------|
| 15 | V2510701 | ID360V2RrAxleAdapt12x142/148 |
|----|----------|------------------------------|

MAVIC **CROSSTRAIL SL 29****DELIVERED WITH**

| | |
|---|--|
| User guide | |
| UST valve not mounted on wheel | |
| 2 replacement spokes with each wheel | |
| 2 Multifunction adjustment wrench with the rear wheel | |

COMPATIBILITY

| | |
|--|--|
| Freewheel body: convertible SHIMANO HG MTB steel (kit V3790101 sold separately) | |
| Front axle adapters: 15x110 convertible to 9x110 (kit 99694101 sold separately) | |
| Front axle adapters: convertible to 15x31mm with Torque Cap (kit V2374401 sold separately) | |
| Rear axle adapters: 12x148 convertible to 9x141 (kit V2510801 sold separately) | |

Specifications**RIMS**

- **Material** : Mxstal
- **Height** : 22 mm
- **Height** : 25 mm
- **Joint** : SUP welding technology
- **Internal width** : 30 mm
- **Drilling** : Fore tapeless tubeless technology (front 24 holes and rear 28 holes)
- **Braking** : disc
- **Profile** : asymmetrical
- **ETRTO size** : 622x30TC
- **Tire** : UST Tubeless Ready

SPOKES

- **Material** : steel
- **Shape** : straight, extra-flat, constricted, antirot (front and rear)
- **Nipples** : brass, black
- **Screw** : M7
- **Lacing** : crossed 2 (front) - crossed 3 (rear)

WHEEL HUB

- **Body material** : aluminium
- **Body design** : INFINITY
- **Disc standard** : 6 Bolts or Center Lock[®]
- **Axle material** : aluminum
- **Axle size** : front 15x110 / rear 12x148
- **Freewheel technology** : Instant Drive 360
- **Freewheel** : Shimano HG MTB / Shimano MS / Sram XD MTB
- **Bearing technology** : QRM automatic setting - sealed cartridge

WHEEL WEIGHTS

1034