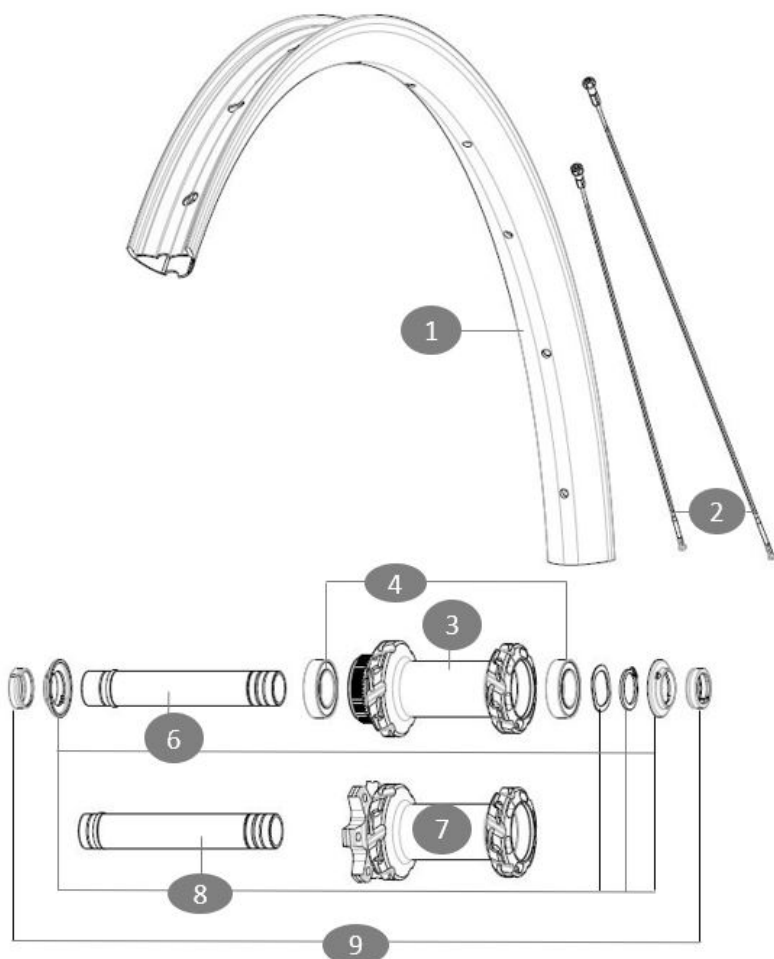
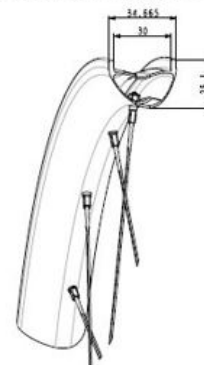


MAVIC **CROSSTRAIL SL CARBON 29****REFERENCES WHEELS**

Minimum tyre size: width 52mm - pressure max. 2.95Bar/43PSI
 Maximum tyre size: width 76mm - pressure max. 2.45Bar/36PSI
 ASTM category 4 : enduro and trail riding
 Maximum weight supported by the wheels: must not exceed 135 kg (bike weight included)



Jante avant Crosstrail SL Carbone 29



Specifications	Maxi target
Frontal run out	0,5mm
Lateral run out	0,5mm
Centrerig	1,0mm (2x0,5)
Tension daN Disc side	81 > 107

RIMS

&NBSP;:

1	V00117601	KIT FT RIM XTRAIL SL CARB 29
	V3750101	35mm UST Green Tape for 30mm wide rims

SPOKES

2	V00065231	Kit12Ft/Rr MTBcarb29 ss spk293
---	-----------	--------------------------------

HUB SHELLS

3	N/A	HUB BODY
4	V2500901	KIT BEARINGS 18x30x7 + WAVED WASHER + CLIP
6	V2375601	Kit 110mm axle QRM auto MTB from 2019 DCL
7	N/A	HUB BODY
8	V2372401	KIT 110mm AXLE QRM AUTO MTB > 2019

ADAPTERS

9	V2372501	15mm MTB Axle Cap QRM Auto From 2019
---	----------	--------------------------------------

MAVIC

CROSSTRAIL SL CARBON 29

DELIVERED WITH

User guide	
Rim tape mounted on wheel	
UST valve not mounted on wheel	
2 replacement spokes with each wheel	
Multifunction adjustment wrench with the rear wheel	

COMPATIBILITY

Freewheel body: convertible SHIMANO HG MTB aluminium (kit V3780101 sold separately)	
Freewheel body: convertible SHIMANO HG MTB steel (kit V3790101 sold separately)	
Front axle adapters: 15x110 convertible to 9x110 (kit 99694101 sold separately)	
Front axle adapters: convertible to 15x31mm with Torque Cap (kit V2374401 sold separately)	
Rear axle adapters: 12x148 convertible to 9x141 (kit V2510801 sold separately)	

Specifications

RIMS

- **Material** : 100% carbon fiber with UD² external layer
- **Internal width** : 30 mm
- **Drilling** : traditional (front 24 holes and rear 28 holes)
- **Braking** : disc
- **Profile** : asymmetrical
- **ETRTO size** : 622x30TC
- **Tire** : UST Tubeless Ready - Use with Mavic Tubeless Tape

SPOKES

- **Material** : steel
- **Shape** : straight, extra-flat, constricted, antirot (front and rear)
- **Nipples** : steel, ABS, black
- **Lacing** : crossed 2 (front) - crossed 3 (rear)

WHEEL HUB

- **Body material** : aluminium
- **Body design** : INFINITY
- **Disc standard** : 6 Bolts or Center Lock[®]
- **Axle material** : aluminum
- **Axle size** : front 15x110 / rear 12x148
- **Freewheel technology** : Instant Drive 360
- **Freewheel** : Shimano MS / Sram XD MTB
- **Bearing technology** : QRM automatic setting - sealed cartridge

WHEEL WEIGHTS

735