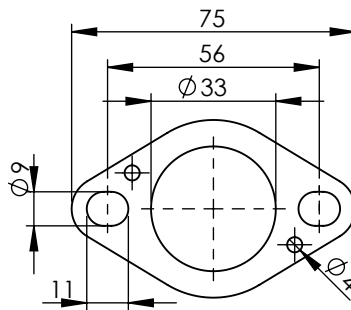
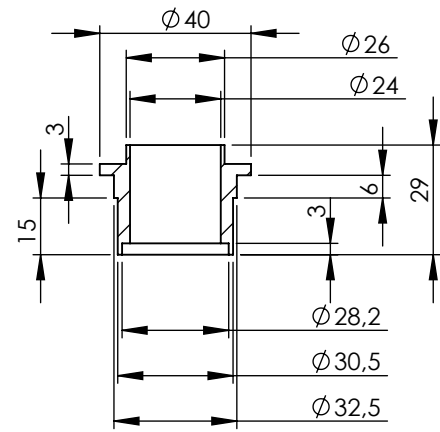


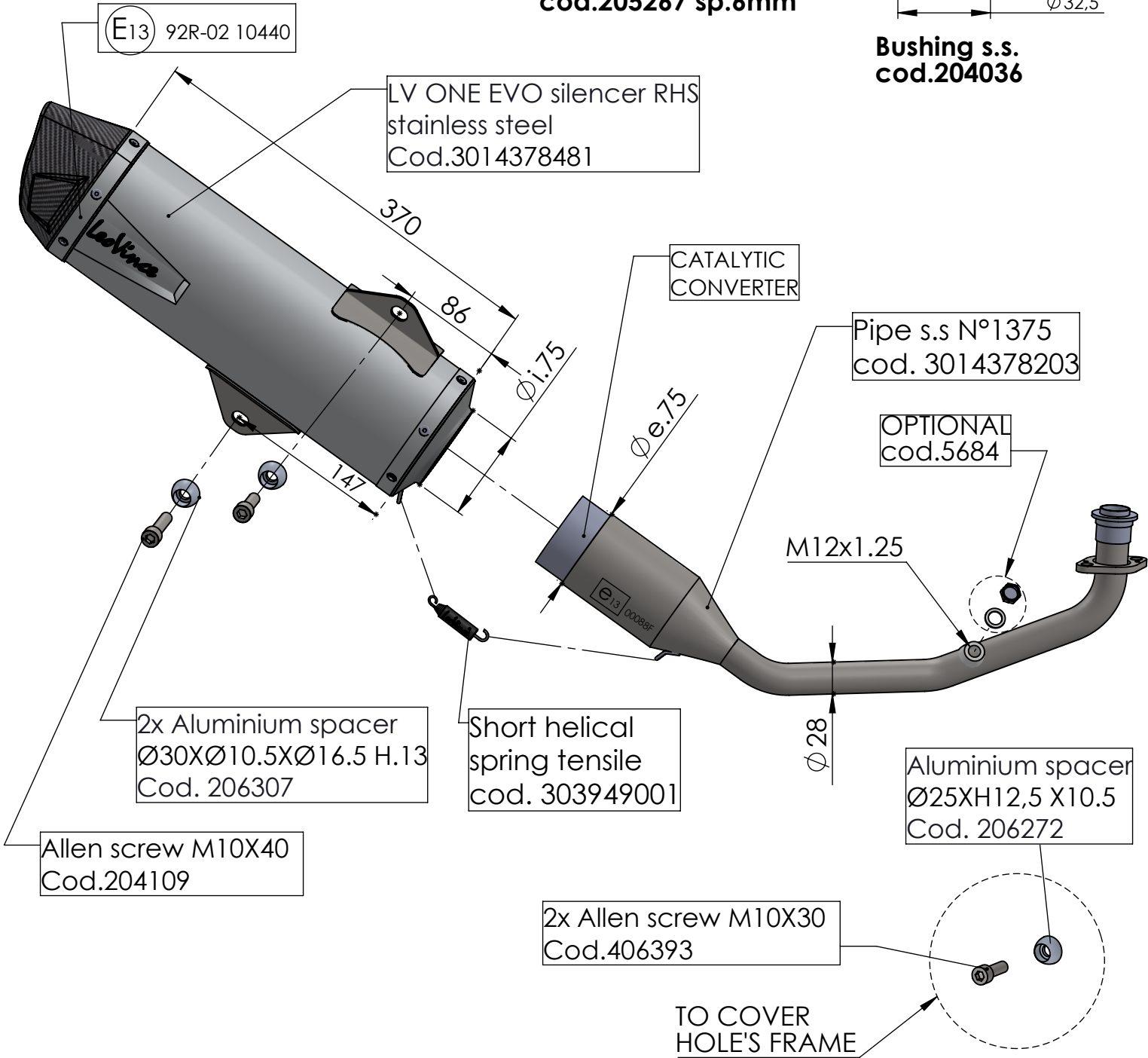
Db-Killer N.63  
Cod.3014225801



Flange s.s. "45E"  
cod.205267 sp.6mm



Bushing s.s.  
cod.204036



E13 92R-02 10440

LV ONE EVO silencer RHS  
stainless steel  
Cod.3014378481

CATALYTIC  
CONVERTER

Pipe s.s N°1375  
cod. 3014378203

OPTIONAL  
cod.5684

2x Aluminium spacer  
Ø30XØ10.5XØ16.5 H.13  
Cod. 206307

Short helical  
spring tensile  
cod. 303949001

Allen screw M10X40  
Cod.204109

2x Allen screw M10X30  
Cod.406393

Aluminium spacer  
Ø25XH12,5 X10.5  
Cod. 206272

TO COVER  
HOLE'S FRAME

# ART. 14378EK

YAMAHA X-MAX 125 / TECH MAX

FULL SYSTEM - LV ONE EVO - STAINLESS STEEL - APPROVED