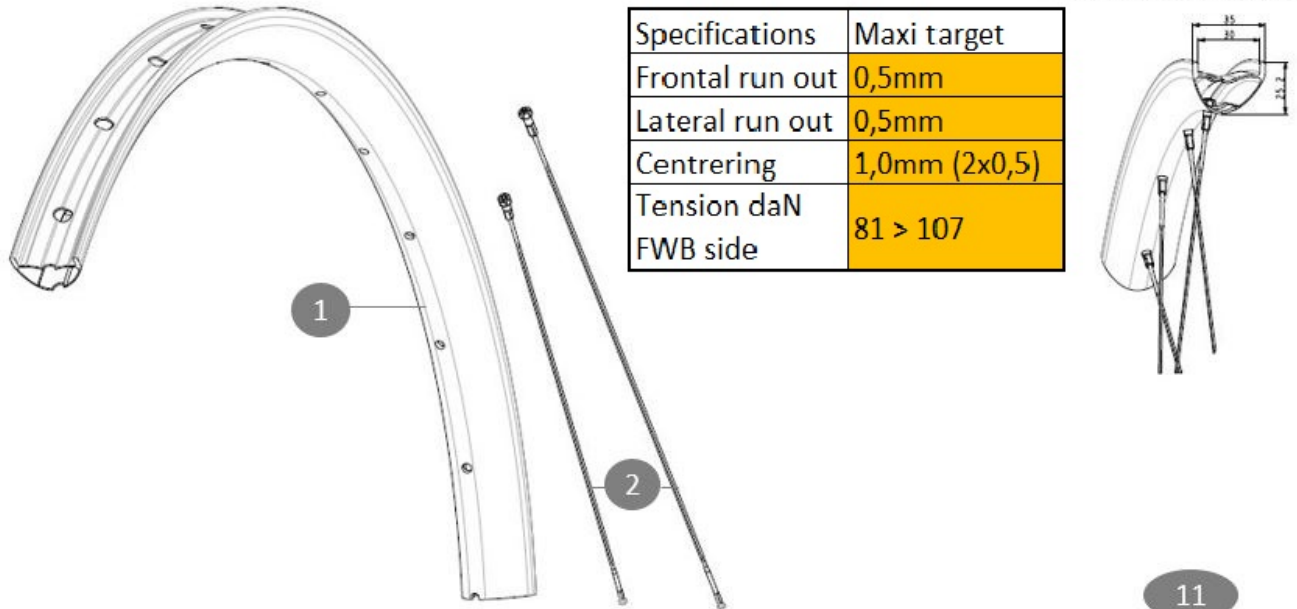


MAVIC **CROSSTRAIL SL CARBON 29**

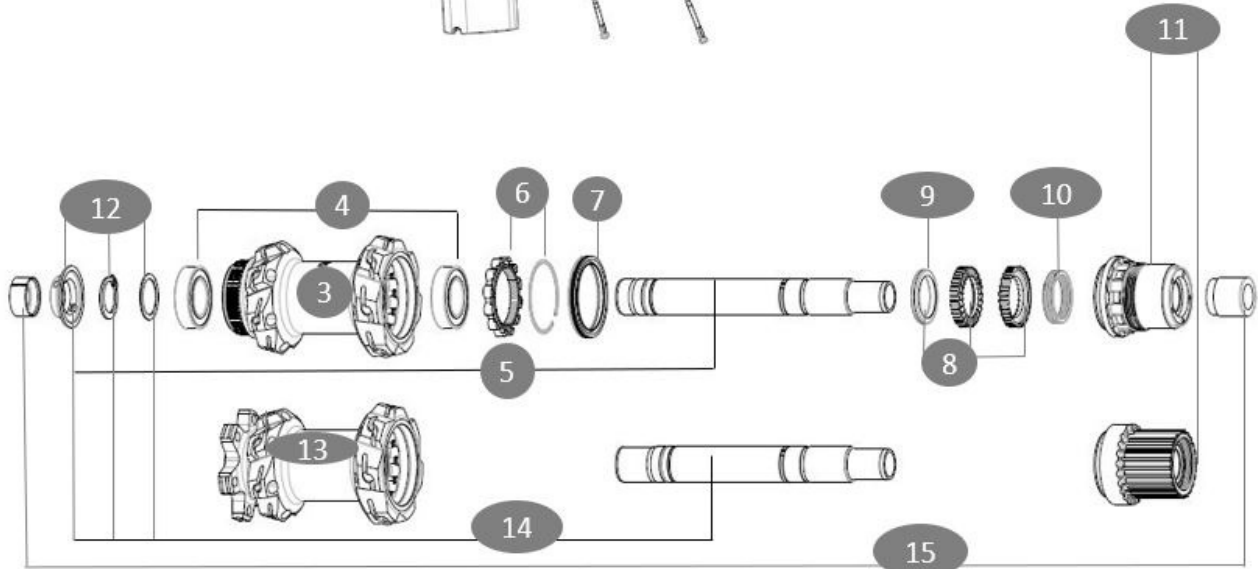
Minimum tyre size: width 52mm - pressure max. 2.95Bar/43PSI
 Maximum tyre size: width 76mm - pressure max. 2.45Bar/36PSI
 ASTM category 4 : enduro and trail riding
 Maximum weight supported by the wheels: must not exceed 135 kg (bike weight included)

REFERENCES WHEELS

Jante arrière Crosstrail SL Carbone 29



Specifications	Maxi target
Frontal run out	0,5mm
Lateral run out	0,5mm
Centring	1,0mm (2x0,5)
Tension daN FWB side	81 > 107

**RIMS**

&NBSP;:

1	V00117509	KIT RR RIM XTRAIL SL CARB 29
	V3750101	35mm UST Green Tape for 30mm wide rims

SPOKES

2	V00101731	KIT 14 BTD SPK298 EXTRAIL SL C
----------	-----------	--------------------------------

HUB SHELLS

3	N/A	HUB BODY
4	M40076	HUB BEARINGS 17x30x7 6903 x 2
5	V2375701	Kit ID360 148 DCL axle with circlip
6	V2252701	KIT ID360 INSERT SHAPED EAR LOBE > 2017
7	V2251601	KIT ID360 SEAL + GREASE
8	V2375201	KIT ID360 24 TEETH 2 RATCHET + MTB SPRING + PAD (specific)
9	V2375401	KIT ID360 MTB 24T 3 NOISE REDUCING PADS

10	V2372901	KIT 3 ID360 MTB SPRINGS
11	V3740101	XD MTB Freewheel Body ID360
11	V3990101	MicroSpline MTB Freewheel Body ID360
12	V2373001	KIT ADJUST. SYSTEM QRM AUTO ID360 for 17x30x7 bearing
13	N/A	HUB BODY
14	V2372201	KIT ID360 148 D6T AXLE WITH CLIP

ADAPTERS

15	V2510701	ID360V2RrAxleAdapt12x142/148
-----------	----------	------------------------------

MAVIC **CROSSTRAIL SL CARBON 29**

DELIVERED WITH

User guide	
Rim tape mounted on wheel	
UST valve not mounted on wheel	
2 replacement spokes with each wheel	
Multifunction adjustment wrench with the rear wheel	

COMPATIBILITY

Freewheel body: convertible SHIMANO HG MTB aluminium (kit V3780101 sold separately)	
Freewheel body: convertible SHIMANO HG MTB steel (kit V3790101 sold separately)	
Front axle adapters: 15x110 convertible to 9x110 (kit 99694101 sold separately)	
Front axle adapters: convertible to 15x31mm with Torque Cap (kit V2374401 sold separately)	
Rear axle adapters: 12x148 convertible to 9x141 (kit V2510801 sold separately)	

Specifications

RIMS

- **Material** : 100% carbon fiber with UD² external layer
- **Internal width** : 30 mm
- **Drilling** : traditional (front 24 holes and rear 28 holes)
- **Braking** : disc
- **Profile** : asymmetrical
- **ETRTO size** : 622x30TC
- **Tire** : UST Tubeless Ready - Use with Mavic Tubeless Tape

SPOKES

- **Material** : steel
- **Shape** : straight, extra-flat, constricted, antirot (front and rear)
- **Nipples** : steel, ABS, black
- **Lacing** : crossed 2 (front) - crossed 3 (rear)

WHEEL HUB

- **Body material** : aluminium
- **Body design** : INFINITY
- **Disc standard** : 6 Bolts or Center Lock[®]
- **Axle material** : aluminum
- **Axle size** : front 15x110 / rear 12x148
- **Freewheel technology** : Instant Drive 360
- **Freewheel** : Shimano MS / Sram XD MTB
- **Bearing technology** : QRM automatic setting - sealed cartridge

WHEEL WEIGHTS

927