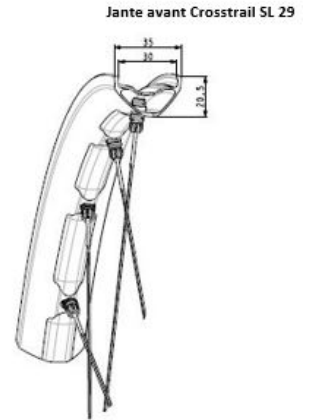
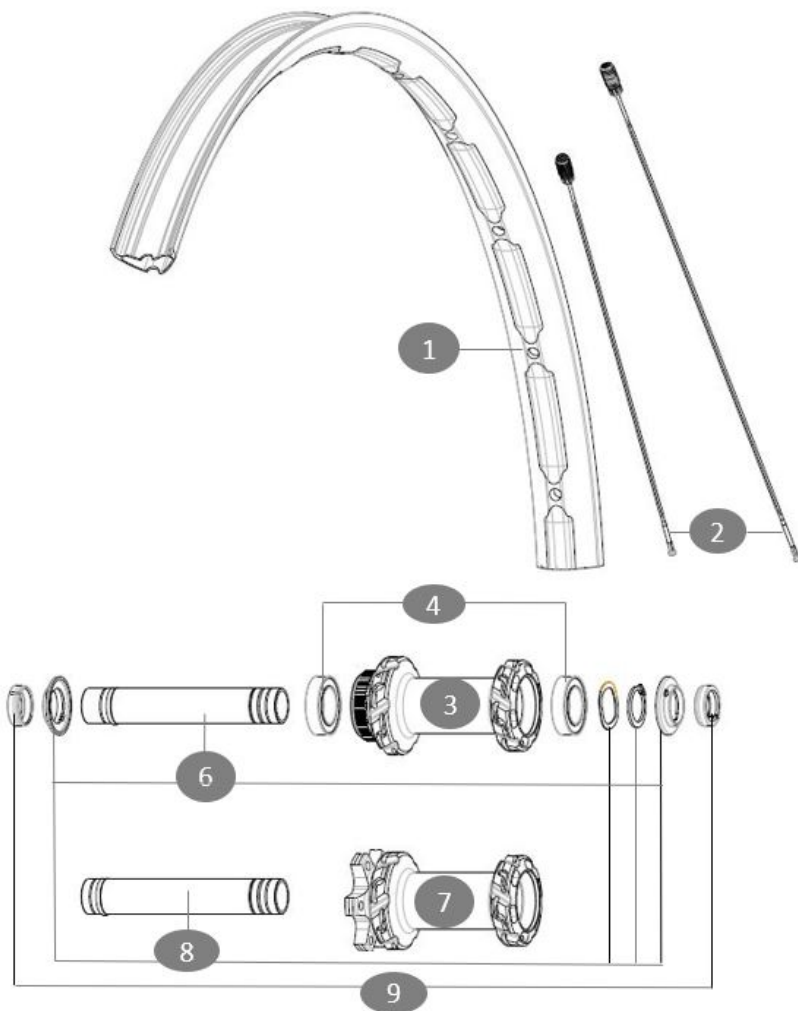


MAVIC **CROSSTRAIL SL 29**

Minimum tyre size: width 52mm - pressure max. 2.95Bar/43PSI
 Maximum tyre size: width 76mm - pressure max. 2.45Bar/36PSI
 ASTM category 4 : enduro and trail riding
 Maximum weight supported by the wheels: must not exceed 135 kg (bike weight included)

REFERENCES WHEELS



Specifications	Maxi target
Frontal run out	0,5mm
Lateral run out	0,5mm
Centrerig	1,0mm (2x0,5)
Tension daN	89 > 107
Disc side	

RIMS



&NBSP;:

1	V00115231	KIT FT/RR RIM eXTRAIL SL 29
	V3750101	35mm UST Green Tape for 30mm wide rims

SPOKES

2	V00096231	Kit 14 Front/Rear steel spoke M7/7 298mm
---	-----------	--

HUB SHELLS

3	N/A	HUB BODY
4	V2500901	KIT BEARINGS 18x30x7 + WAVED WASHER + CLIP
6	V2375601	Kit 110mm axle QRM auto MTB from 2019 DCL
7	N/A	HUB BODY
8	V2372401	KIT 110mm AXLE QRM AUTO MTB > 2019

ADAPTERS

9	V2372501	15mm MTB Axle Cap QRM Auto From 2019
---	----------	--------------------------------------

MAVIC **CROSSTRAIL SL 29**

DELIVERED WITH

User guide	
UST valve not mounted on wheel	
2 replacement spokes with each wheel	
2 Multifunction adjustment wrench with the rear wheel	

COMPATIBILITY

Freewheel body: convertible SHIMANO HG MTB steel (kit V3790101 sold separately)	
Front axle adapters: 15x110 convertible to 9x110 (kit 99694101 sold separately)	
Front axle adapters: convertible to 15x31mm with Torque Cap (kit V2374401 sold separately)	
Rear axle adapters: 12x148 convertible to 9x141 (kit V2510801 sold separately)	

Specifications

RIMS

- **Material** : Mactal
- **Height** : 22 mm
- **Height** : 25 mm
- **Joint** : SUP welding technology
- **Internal width** : 30 mm
- **Drilling** : Fore tapeless tubeless technology (front 24 holes and rear 28 holes)
- **Braking** : disc
- **Profile** : asymmetrical
- **ETRTO size** : 622x30TC
- **Tire** : UST Tubeless Ready

SPOKES

- **Material** : steel
- **Shape** : straight, extra-flat, constricted, antirot (front and rear)
- **Nipples** : brass, black
- **Screw** : M7
- **Lacing** : crossed 2 (front) - crossed 3 (rear)

WHEEL HUB

- **Body material** : aluminium
- **Body design** : INFINITY
- **Disc standard** : 6 Bolts or Center Lock[®]
- **Axle material** : aluminum
- **Axle size** : front 15x110 / rear 12x148
- **Freewheel technology** : Instant Drive 360
- **Freewheel** : Shimano HG MTB / Shimano MS / Sram XD MTB
- **Bearing technology** : QRM automatic setting - sealed cartridge

WHEEL WEIGHTS

831