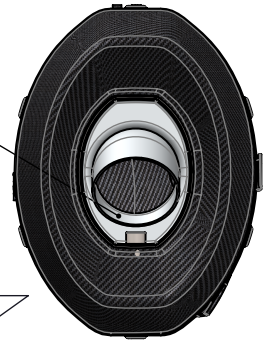


**Don't use**



Db-killer N°52  
Cod.308421801



FACTORY S S.s.  
silencer Øi 54  
Cod.308420481

Knurled collar nut M8  
Cod.200298

Plain washer 8x24  
Cod.200321

Knurled collar nut M6  
Cod.200333

Plain washer 6x18  
Cod.200254

Carbon bracket  
Cod. 088446003

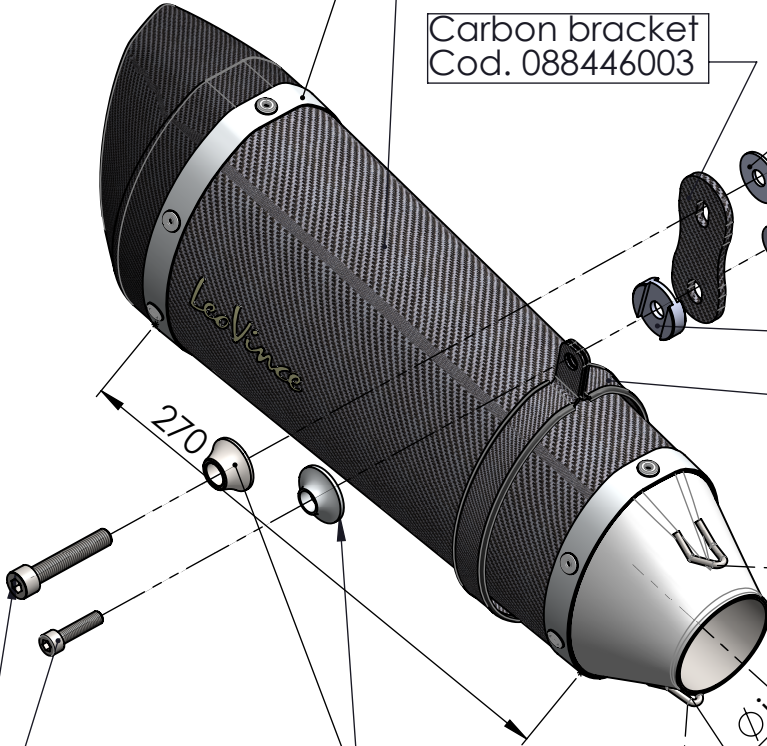
Aluminium spacer  
Cod.205866

Carbon bracket FR2  
Cod.308448501

Short helical spring  
tensile  
Cod.308574001

Pipe N°1253  
Cod.3014295201

E13 92R - 01 10395



Aluminium spacer  
-for allen screw M8-  
Cod.204321

Allen screw  
M6X25 T.C.E.I.Z.B  
Cod.200586

Allen screw  
M8X45 T.C.E.I.Z.B.  
Cod.201450

Aluminium spacer  
-for allen screw M6-  
Cod.205767

2 Plain washer  
5x15 Inox  
Cod.406580

Carbon cover  
Cod.0814137001

2 Allen screw  
M5X12 T.B.E.I.  
Cod.201031

4 Gasket  
14x4.9x1.5  
Cod.200371

2 Mounting  
plate M5  
Cod.204555

Strap-in  
stainless steel Ø51  
Cod.300051532

**ART. 14296S**

SUZUKI GSX-R 1000/R

SLIP-ON - FACTORY S - CARBON. - APPROVED