

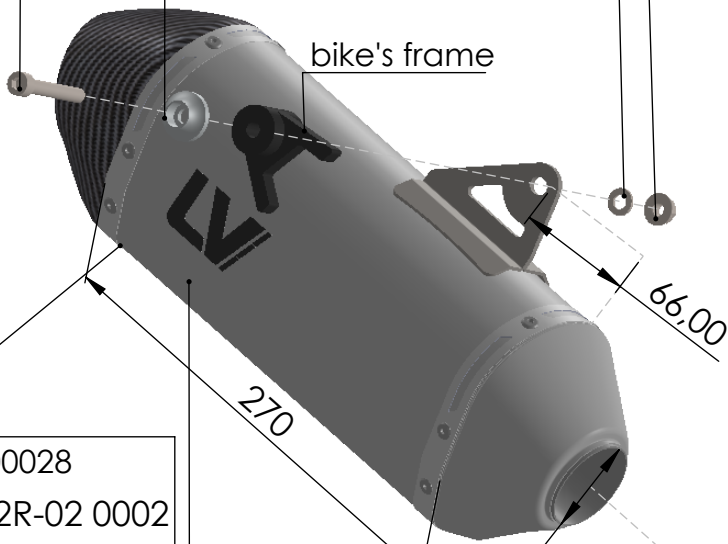
dB-Killer N° 32B  
P/N 307762801

Allen Screw  
M8x55  
P/N 200331

Alu Spacer  
Ø27 ø8.5  
P/N 204321

Washer  
Øi.8 Øe.16  
P/N 200294

Flange Nut M8  
P/N 200298



2x Allen Screw  
M5x12  
P/N 201031

2x Plain Washer  
Ø15 ø5  
P/N 406580

4x Gasket  
Ø14 ø4.9 h.1,5  
P/N 200371

Carbon Heat Shield  
P/N 0815401001

2x Mounting Plate M5  
P/N 204555

S.S. Muffler  
P/N 3015601481

Short Spring  
P/N 303949001

S.S. Pipe n°1493  
P/N 3015601201

Øi.49 ∇ 48

S.S. Clamp Ø51  
P/N 300051530

# ART. 15601

HONDA XL 750 TRANSALP

SLIP ON LV14 STAINLESS STEEL APPROVED